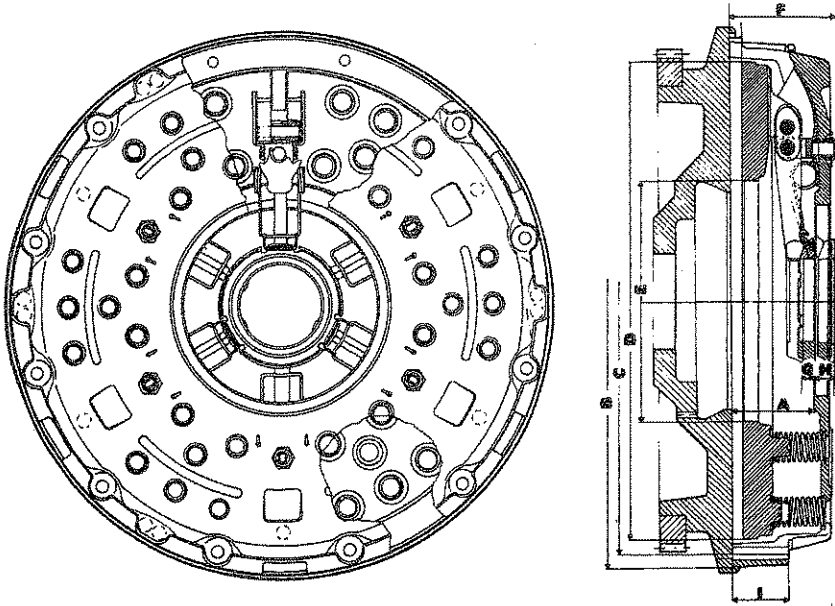
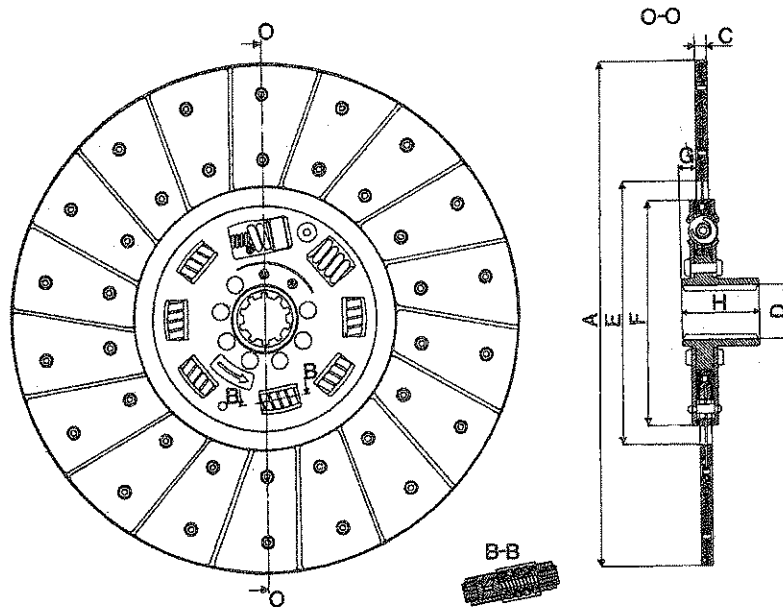


TEKERCSRUGÓS TENGELYKAPCSOLÓ COILED SPRINGS CLUTCH



| | | |
|---|--|------------------|
| B | | Ø 435 h8 |
| C | | Ø 410 ± 0,3 |
| D | | Ø 380 |
| E | | Ø 195 |
| F | | max. 95 |
| G | | 10 ⁺² |
| H | | 18 |
| I | | 46 |

RUGALMAS TENGELYKAPCSOLÓ SURLÓDÓTÁRCSA FLEXIBLE CLUTCH FRICTION DISC



| | | | |
|---|--|-------------------------|------------------------|
| A | | Ø 380 mm | |
| C | | 10 ± 0,3 | |
| D | | SAE 10C 1 3/4" | A 10x32x40 DIN 5464 |
| E | | Ø 200 mm | |
| F | | Ø 187 mm | |
| G | | 11,5 ± 1 mm 9 ± 1 mm | |
| H | | 62 mm | |