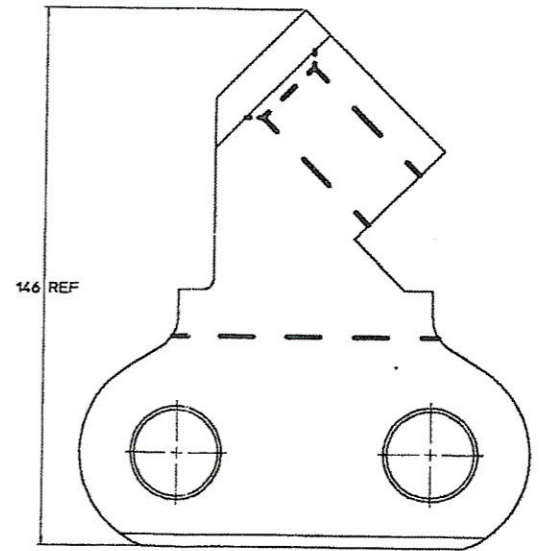
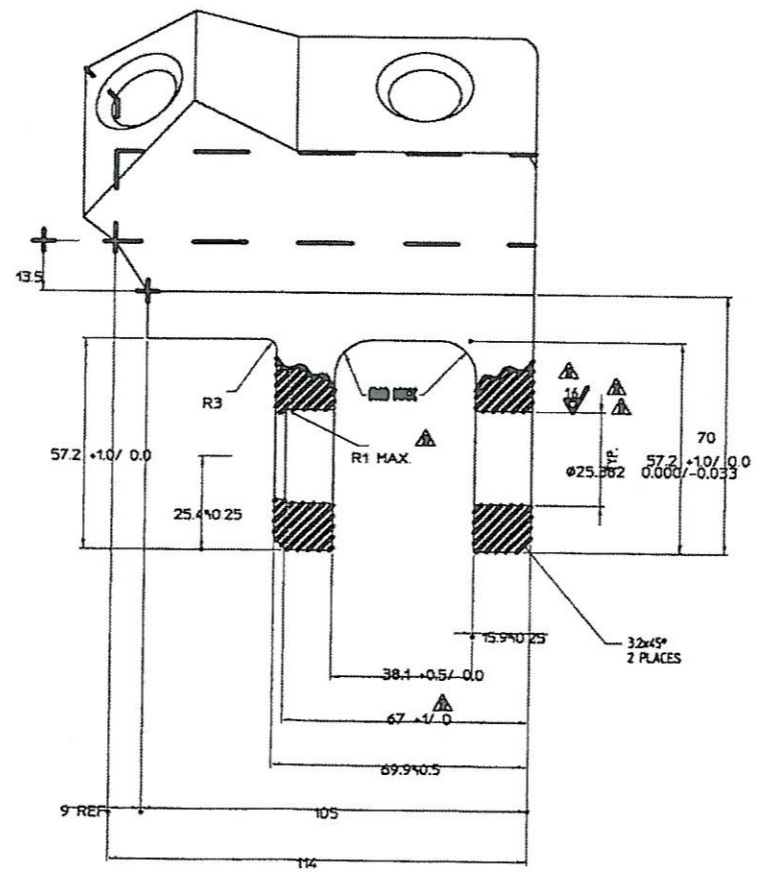
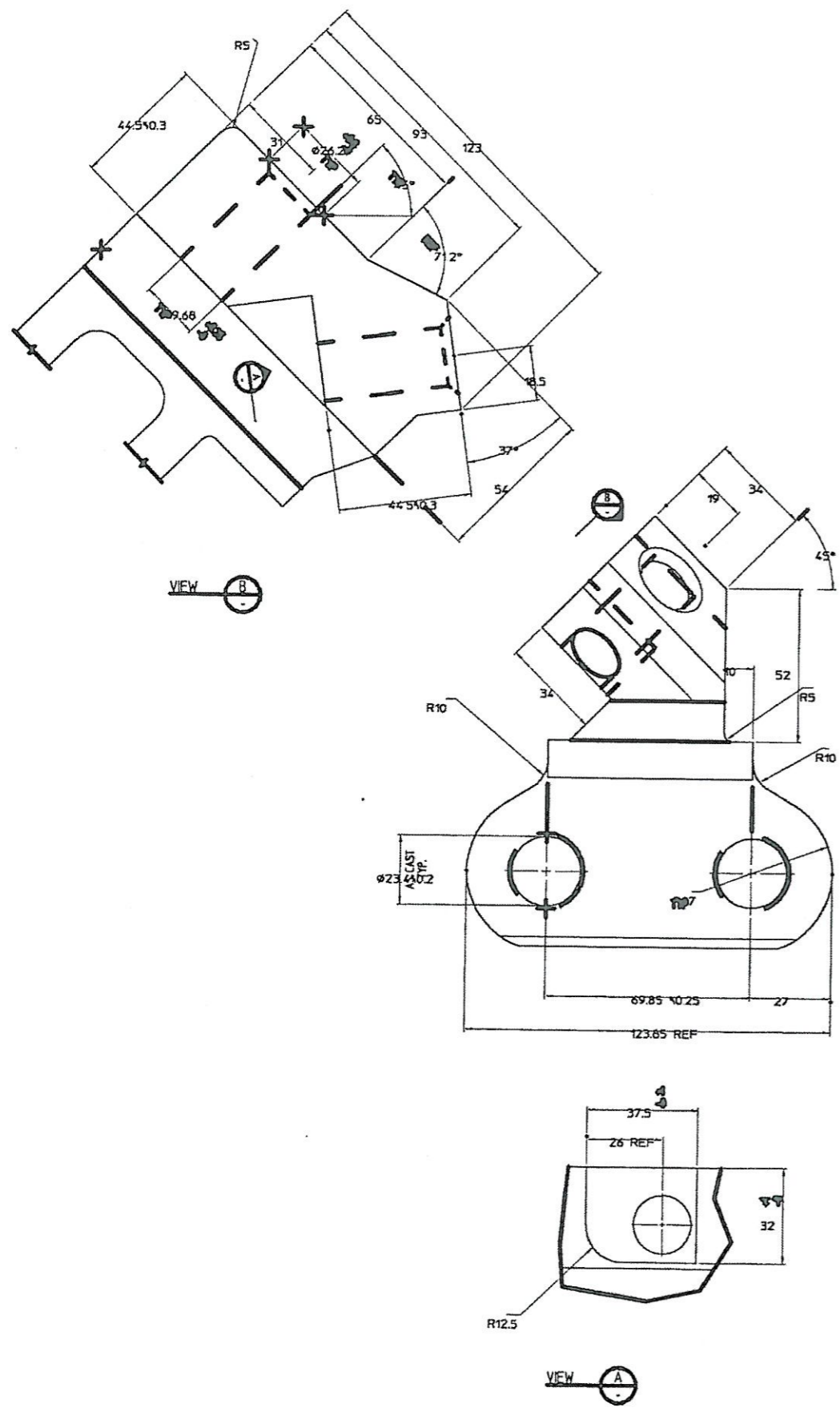


1	Original Issue		
2	12-06-97 TOL. WAS +0/-0.005, SURFACE WAS 0.4	AK	JK
3	02-03-98 M/C # WAS 25324, DIM. 67 ADDED, R1 MAX. ADDED	JK	JFK



ÉRVÉNYES

AZONOSÍTÓ SZÁM:

2016 ÁPR. 18. LAIHAS *[Signature]*

ALL CORNERS RADIUS 1mm UN.D.

-INVESTMENT CAST
 -HEAT TREATMENT:
 HEAT TO 1050-1100°C
 & WATER QUENCH.

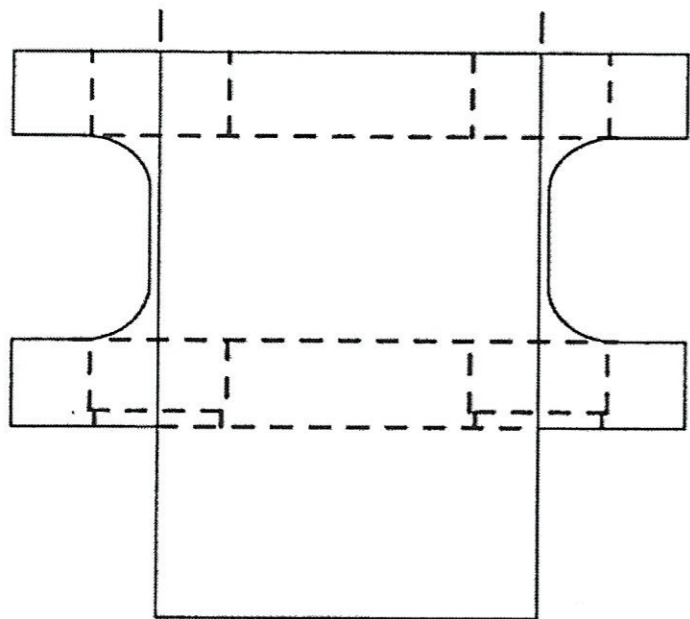
CHAIN LINK : 2 BIT : BOTTOM CUT LANC SZEM, Y"

HADFIELD MANGANESE STEEL: AS 2074 GRADE H1A

D1 19-05-97 11
 K 15-5-97 425kg

20-03-00 W234361Y 3

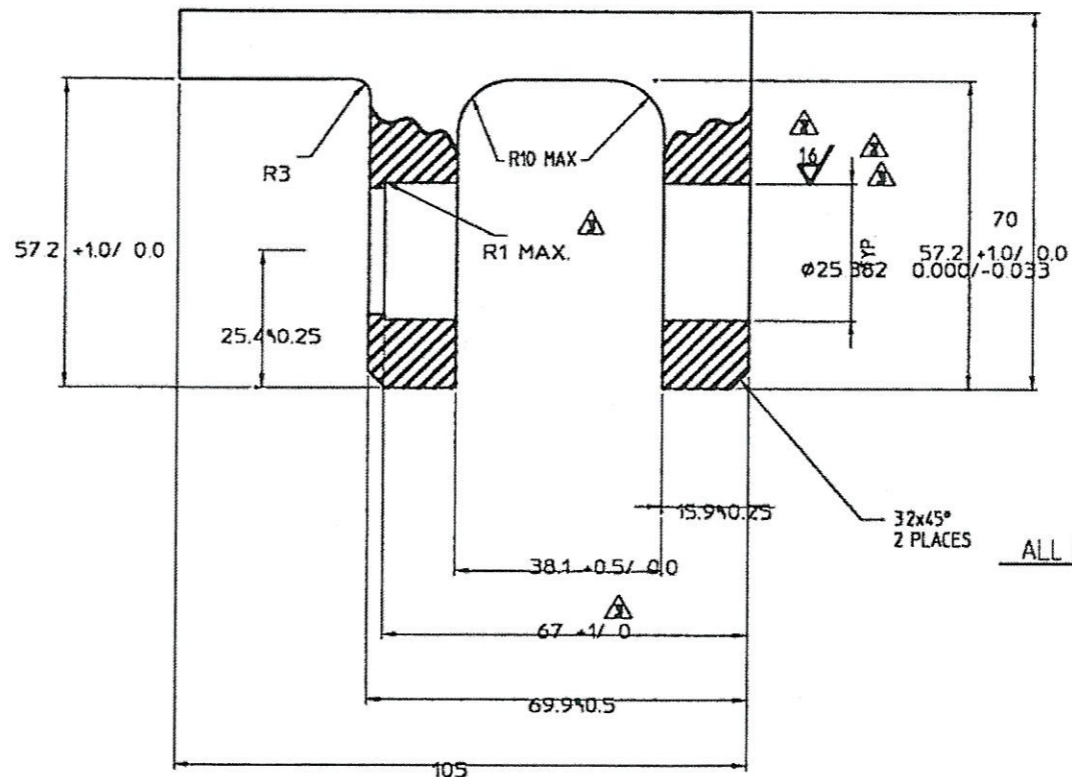
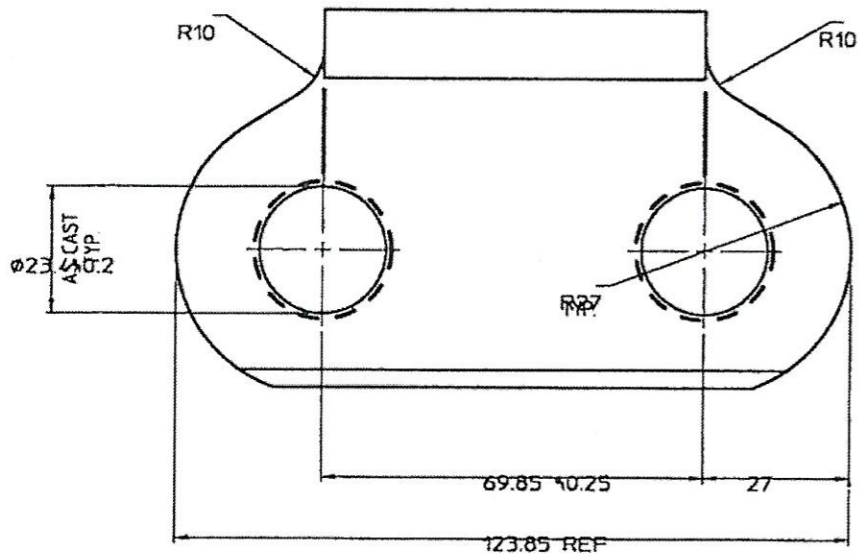
CNA-01123-01



1	Original Issue		
2	12-06-97	TOL. WAS +0/-0.005. SURFACE WAS 0.4	AK JK
3	04-03-98	M/C Ø WAS 25.324 ^{±0.005} . DIM. 67 ^{±0.005} ADDED. R1 MAX. ADDED	JK JPK

ÉRVÉNYES

AZONOSÍTÓ SZÁM: _____
 DÁTUM: 20th APR 18. ALÁÍRÁS: *[Signature]*



ALL CORNERS RADIUS 1mm U.N.O.

-INVESTMENT CAST
 -HEAT TREATMENT:
 HEAT TO 1050-1100°C
 & WATER QUENCH.

SPACER LINK
 GO-4SOR

TÁVTARTÓ SZEM

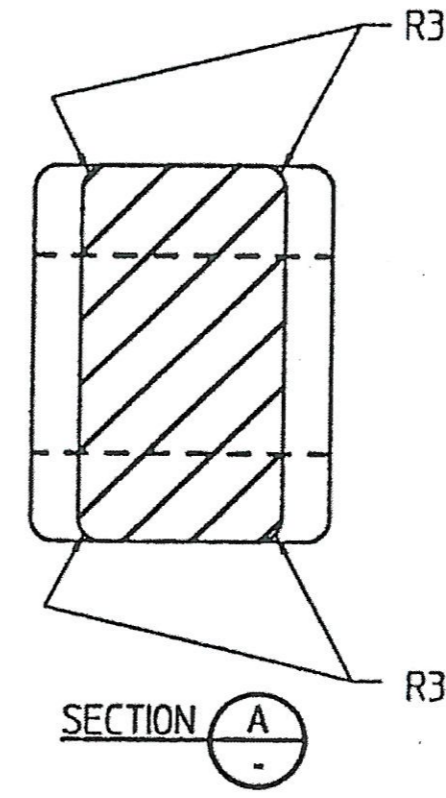
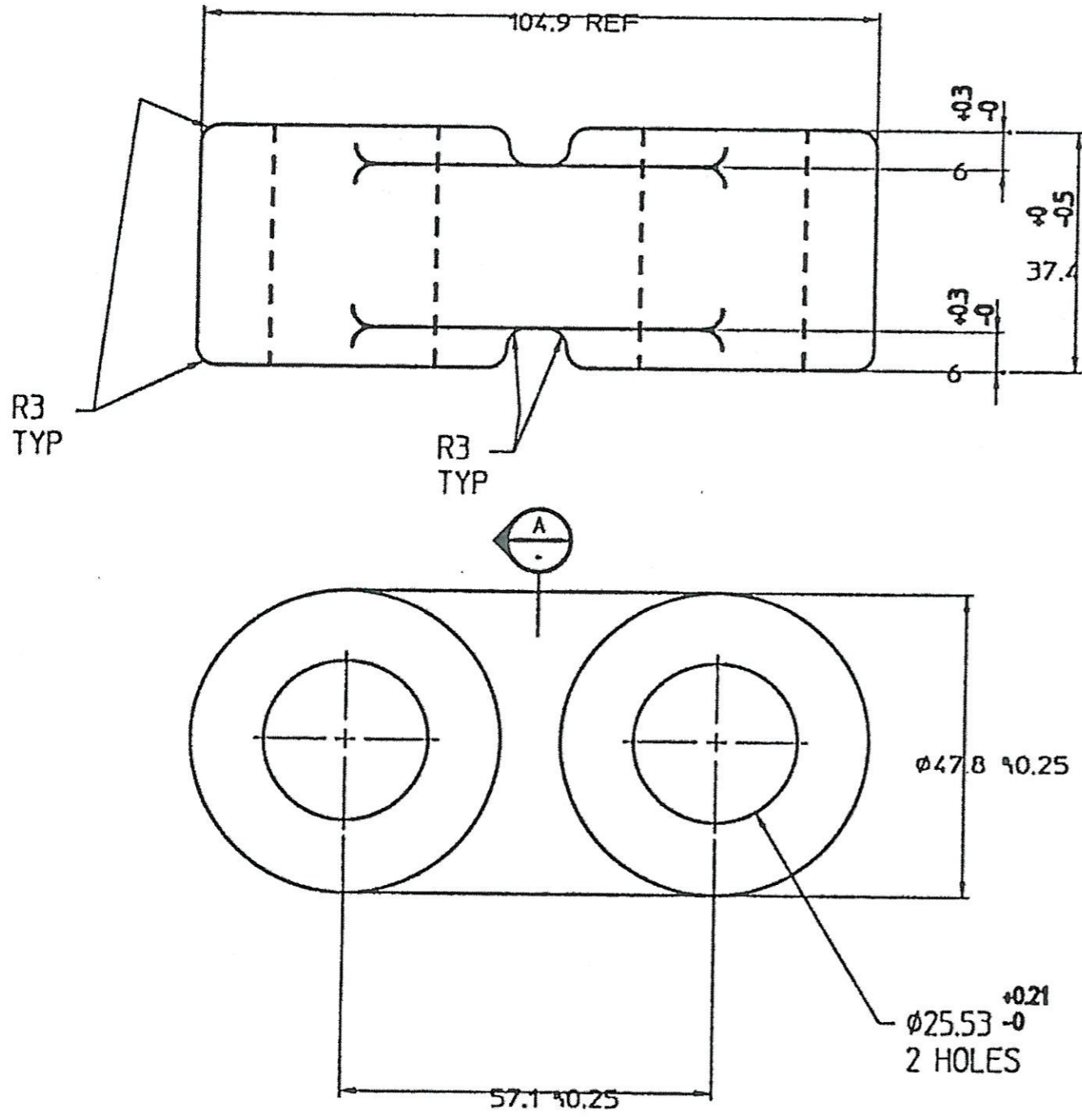
54A-23

HADFIELD MANGANESE STEEL : AS 2074 GRADE H1A

AK 19-05-97 11
 JK 19-05-97 2.25 kg

X234363 3

CNA-01125-01



ÉRVÉNYES

ADOMOSÍTÓ SZÁM

DÁTUM 2016 ÁPR. 18.

-INVESTMENT CAST
-HEAT TREATMENT:
HEAT TO 1050-1100°C
& WATER QUENCH.

54/A-22

CHAIN CONNECTING LINK

összerakószem

HADFIELD MANGANESE STEEL: AS 2074 GRADE H1A

EREDETI

AK 24-04-97 1.1
JK 28-4-97 0.9 KG

20-03-00

Y234360 1

CNA-01126-01