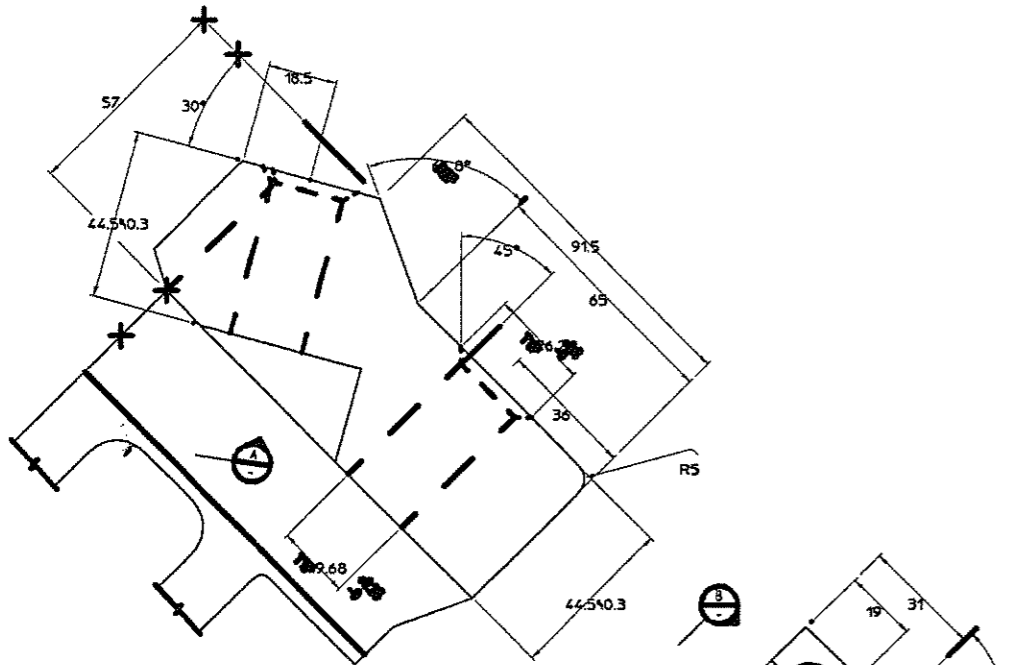


1	Original Issue		
2	12-06-97 TOL. WAS +0/-0.005, SURFACE WAS 0.4	AK	K
3	04-03-98 M/C # WAS 25324, DIM. 67, ADDED, R1 MAX. ADDED	K	JPK

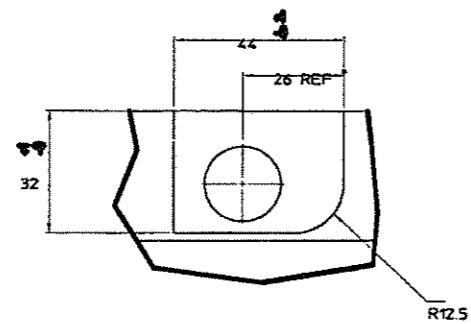
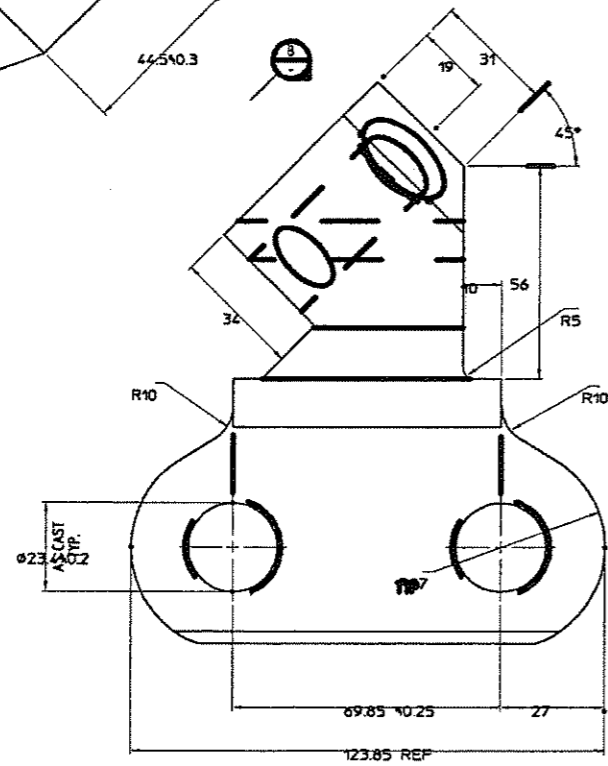
**ÉRVÉNYES**

AZONOSÍTÓ SZÁM:

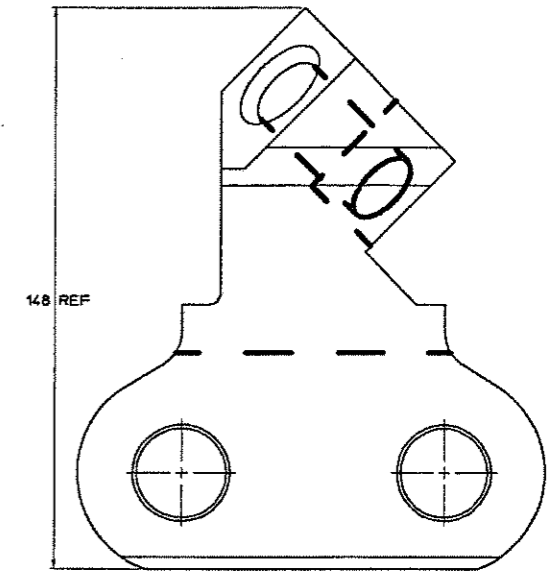
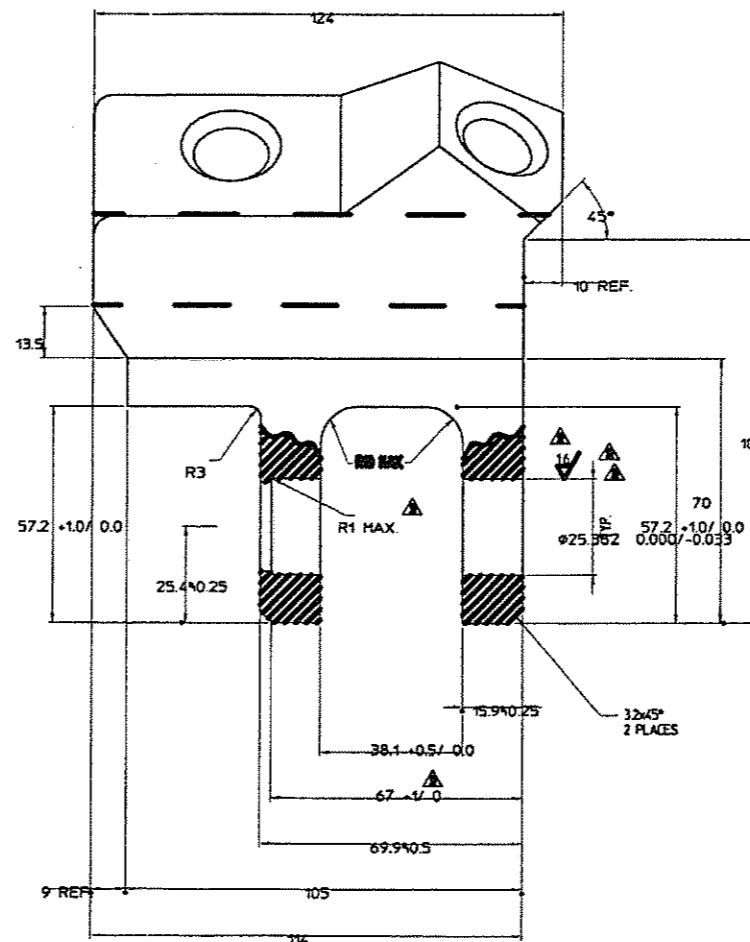
DÁTUM: 2011. FEBR. 19. ALÁÍRÁS: *[Signature]*



VIEW **B**



VIEW **A**



ALL CORNERS RADIUS 1mm U.N.O.

-INVESTMENT CAST  
-HEAT TREATMENT:  
HEAT TO 1050-1100°C  
& WATER QUENCH.

CHAIN LINK : 2 BIT : TOP CUT  
60-4SQR

LÁNC SZEM Z

HADFIELD MANGANESE STEEL: AS 2074 GRADE H1A

AK 02-05-97 11  
K 16-5-97 425kg

W234361Z 3

20-03-00

CNA-01124-01